



Intellectual
Property
Office

Certificate of Registration for a UK Design

Design number: 6502789

Grant date: 17 February 2026

Registration date: 30 January 2026

This is to certify that,

in pursuance of and subject to the provision of Registered Designs Act 1949, the design of which a representation or specimen is attached, had been registered as of the date of registration shown above in the name of

Dr. Hawraa Faisal Hasab Allh AL-Abedi, Dr. Mumtaz Mati Mansour Kasha, Dr.

Luma Foad Manher Al-Ethafa, Dr. Saranraj Pazhani

in respect of the application of such design to:

Portable Microbial Decontamination Laboratory Device

International Design Classification:

Version: 15-2025

Class: 24 MEDICAL AND LABORATORY EQUIPMENT

Subclass: 01 APPARATUS AND EQUIPMENT FOR DOCTORS, HOSPITALS
AND LABORATORIES

Adam Williams

Comptroller-General of Patents, Designs and Trade Marks

Intellectual Property Office

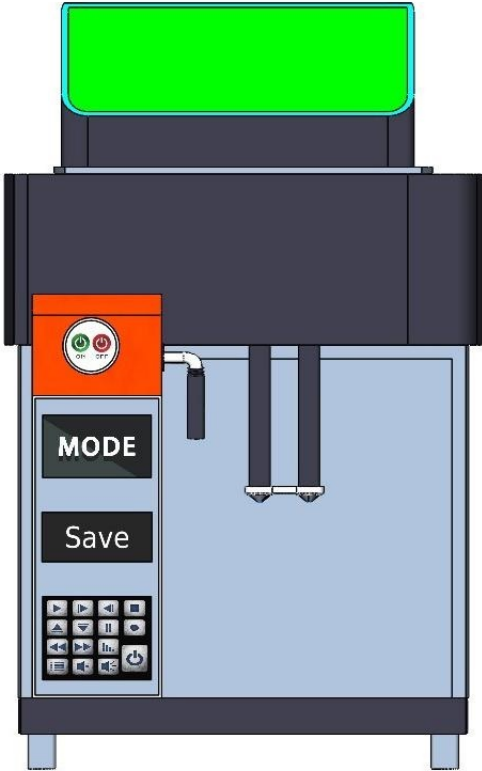
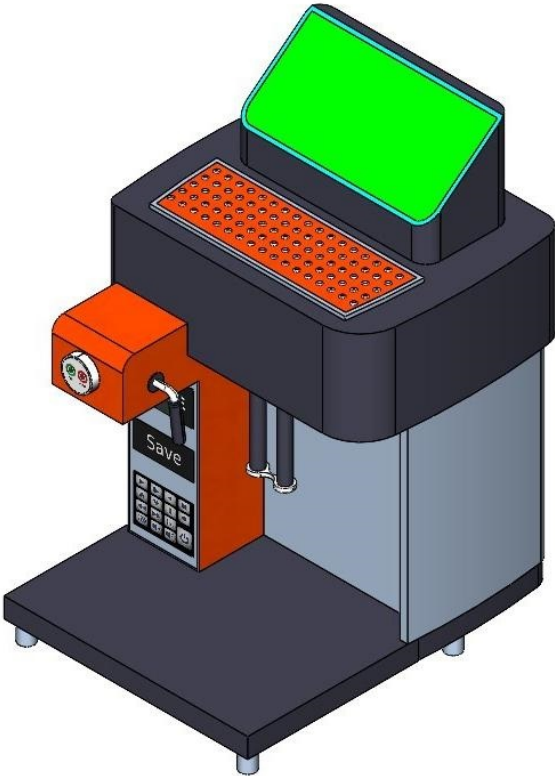
The attention of the Proprietor(s) is drawn to the important notes overleaf.

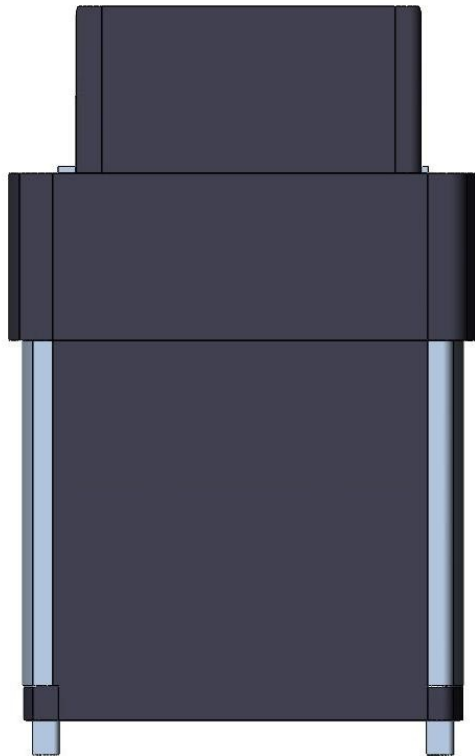
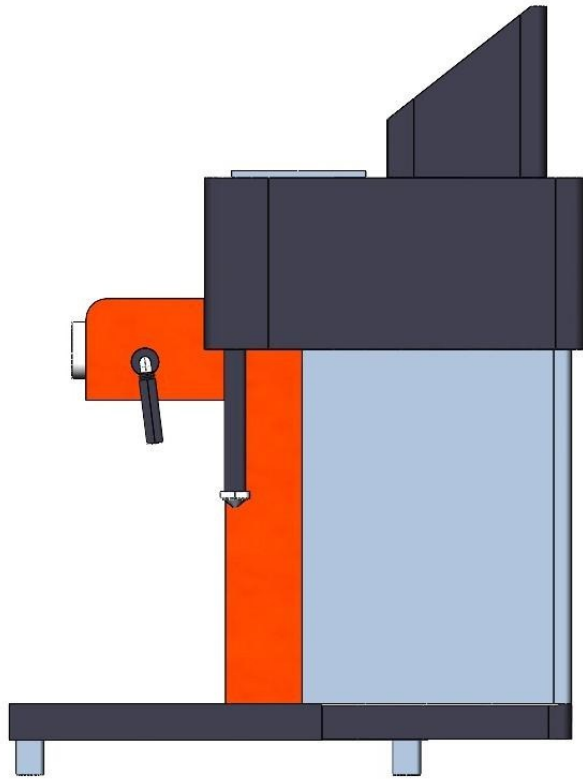


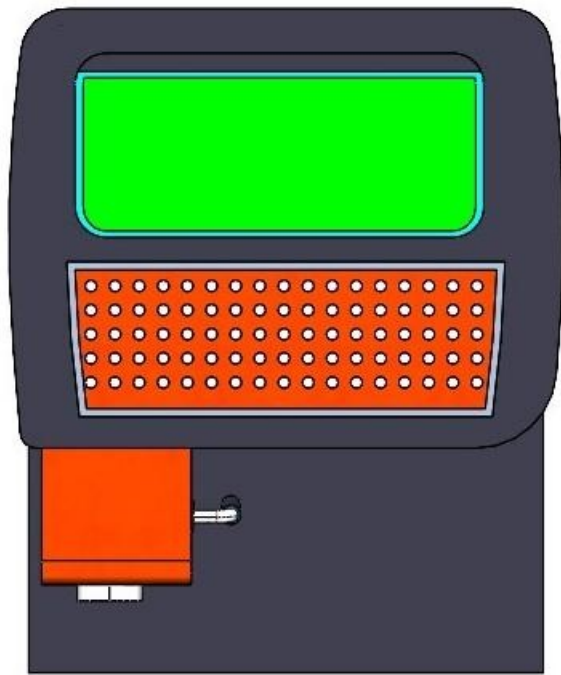
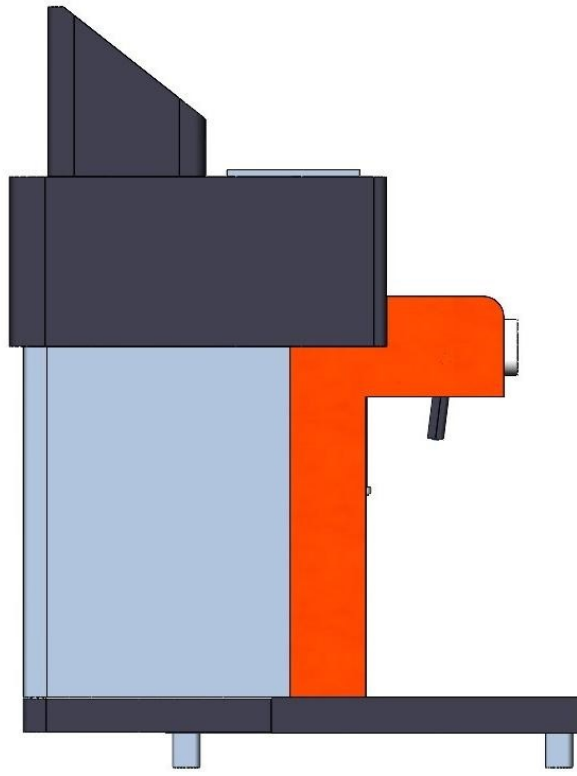
Intellectual Property Office is an operating name of the Patent Office

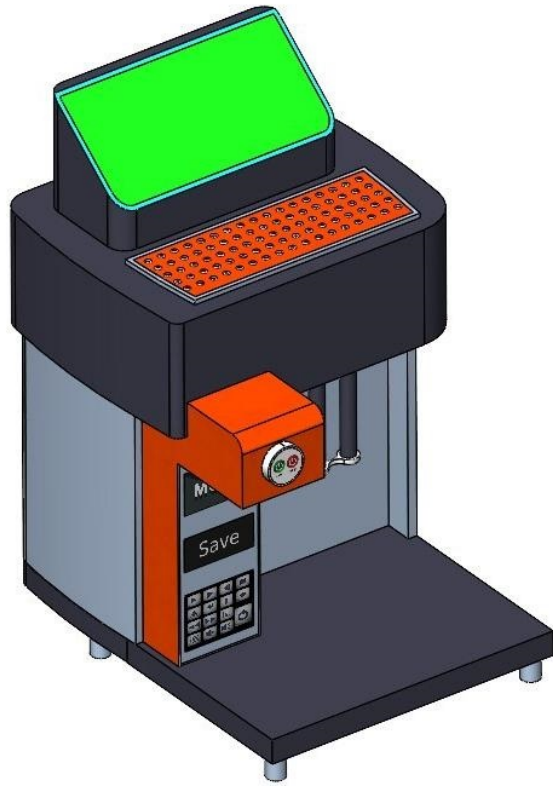
www.gov.uk/ipo

Representation of Designs









Intellectual Property Office is an operating name of the Patent Office

www.gov.uk/ipo